

WATER IOT PLATFORM FOR MULTIFAMILY & COMMERCIAL PROPERTIES

DELIVERING CONVENTIONAL SUBMETERING PLUS ADVANCED LEAK PROTECTION IN ONE DEVICE FOR UP TO FOUR LOCATIONS



AquaLink™ Water IoT Endpoint

AquaLink™ Multi-Device Water IoT Endpoint is a multi-functional LoRaWAN transceiver delivering multi-unit submetering with advanced leak protection.

FEATURE HIGHLIGHTS

Supports up to four (4) devices, including 3rd party water meters, rope leak sensors and the AquaFlex remote shutoff valve

Expanded submetering for an individual unit or up to four units through a single device

On-device leak and burst detection with optional auto shutoff capability

Water Sensor Rope for point of contact leak detection (optional)

Easy installation with integrated mounting plate

Tamper Detection

PRODUCT DESCRIPTION

Multi-Device Water IoT Endpoint

- Single endpoint supports up to four (4) devices, including water meters, rope leak sensors, and Aquana AquaFlex valves
- Flexible configurations: single cold water meter per suite, hot and cold water meter per suite, single cold water meters across up to four (4) suites

Leak and Burst Detection

- On device user configurable leak monitoring
- Optional rope or contact leak sensors
- Optional automatic shutoff via AquaFlex valve

Ease of Installation

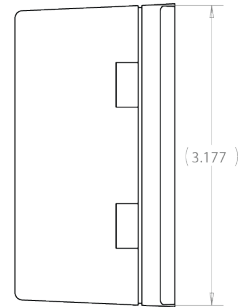
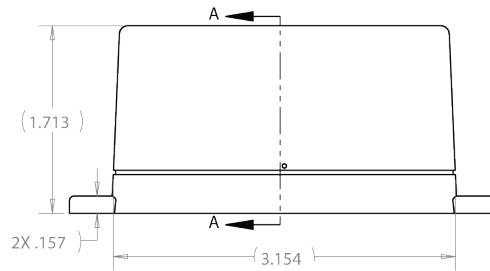
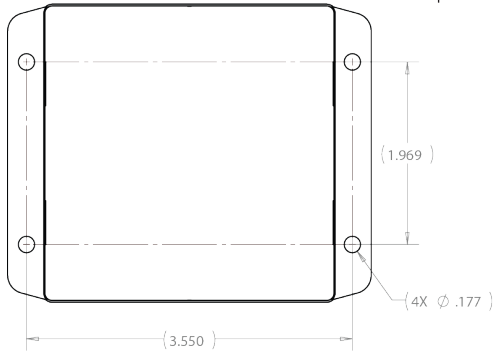
- Two-piece case design with integrated mounting plate and cover for easy installation
- Mobile activation using Cloud-based defaults makes deployment fast and simple

Tamper Detection

- Alert transmitted to the AquaControl™ Cloud and notifications can be sent when cover is removed
- Meter read alerts if the meter cable is cut or removed
- Missed check-in alerts if the device misses an expected check-in

MATERIALS & SPECIFICATIONS

Communication Interface	LoRaWAN US915 with ranges up to 10 miles (15KM)			
Power & Battery	Type C pre-installed, field replaceable battery with optional USB-C power supply			
Operating Temperature	-22°F - 140°F (-30°C - 60°C)			
Storage Temperature	-40°F to 140°F			
Operating Humidity	Up to 90% (non-condensing)			
Ingress Protection	IP20, indoor dry locations only			
Case Material	ABS Plastic			
Ratings/Certifications (Pending)	FCC, IC			
Maximum Cable Length	AquaFlex™	500 ft. ¹	Encoded Meter	500 ft. ²
	Pulse Meter	500 ft. ¹	Aquana Rope Leak Sensor	300 ft.
Submeter Compatibility	Pulse and Encoded Output Submeters			
	UI-1203 Sensus based with extended alarms (Dry, Reverse Flow, Leak, Burst)			
	GWF			
Warranty	10 years limited (5yr full replacement, 5yr prorated)			
Optional Accessories	Water Rope Sensor (3ft standard, available up to 300ft)			
	AquaFlex™ Remote Valve (1/2", 3/4", 1")			



EXAMPLE CONFIGURATIONS

	Port 1	Port 2	Port 3	Port 4	Rope Sensor
Single Cold Water Submeter/Suite	Meter	-	-	-	-
Single Cold Water Submeter + Rope Sensor/Suite	Meter	-	-	-	Yes
Single Cold Water Submeter + Rope Sensor + Remote Valve/Suite	Meter	AVS Valve	-	-	Yes
Hot + Cold Water Submeter + Rope Sensor + Remote Valve/Suite	Cold Meter	Hot Meter	AVS Valve	-	Yes
Cold Water Submeters for up to 4 Suites	Cold Meter	Cold Meter	Cold Meter	Cold Meter	-
Hot/Cold Water Submeters for up to 2 Suites	Cold Meter	Hot Meter	Cold Meter	Hot Meter	-

Specifications subject to change at sole discretion of Geospace Technologies, Inc.

¹ Line capacitance <18.65pF/Ft @10khz

² Certain models only support 400ft. Please contact your sales rep for more information.

